

Contact Details

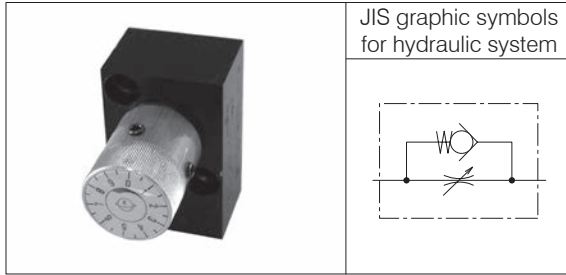
Before using the product, please check the guide pages at the front of this catalog.

Internet

<http://www.daikinpmc.com/en/>

For latest information, PDF catalogs and operation manuals

Compact Throttle Valve with Check Valve



Features

- The built-in check valve controls the flow in one direction while keeping free flow in the other direction.
- Capable of flow rate control of minimal flow rate to the fully closed state.

Nomenclature

TSC - **※** **01** - **※** **※**

1 2 3 4

1 Model No.

TSC: Compact throttle valve with check valve

2 Connections

G: Gasket mount type
T: Screw connection type

3 Nominal diameter

01: 1/8

4 Design No. (The design No. is subject to change)

No designation: Screw connection type (T) connection
11: Gasket mount type (G) connection

Specifications

Model code	Nominal diameter	Maximum operating pressure MPa {kgf/cm ² }	Maximum control flow rate L/min	Check valve Cracking pressure MPa {kgf/cm ² }	Mass kg
TSC-G01-11	1/8	7 {70}	See the performance curves.	0.1 {1}	0.2
TSC-T01				0.08 {0.8}	0.1

Accessories (gasket mount type)

Hexagon socket head cap bolt	Quantity	Tightening torque N·m {kgf·cm}
M5 × 22	2	5.5 to 7.5 {55 to 75}

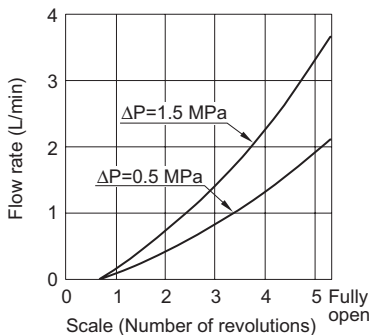
Handling

- Turning the flow rate adjusting handle counterclockwise increases the flow rate. After adjusting the flow rate, tighten the handle locking screw to keep the adjusted position.
- The handle locking screw stops the handle from coming off, so do not loosen it too far.
- There is no special sub-plate provided.

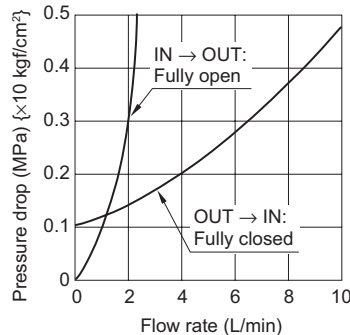
Performance curves (viscosity: 32 mm²/s {cSt})

● TSC-G01

Scale - Flow rate characteristics

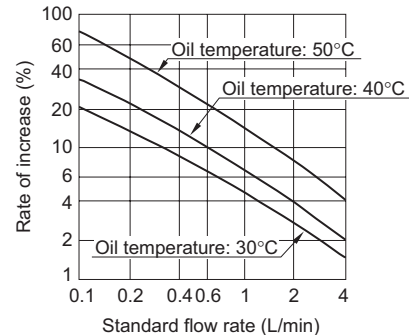


Pressure drop characteristics



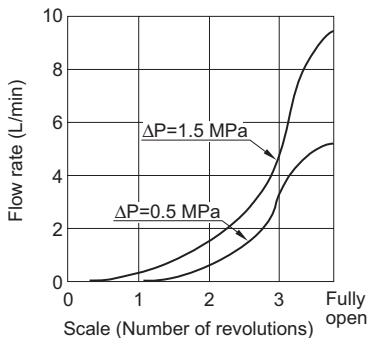
● TSC-※01

Fluid temperature - Flow rate characteristics

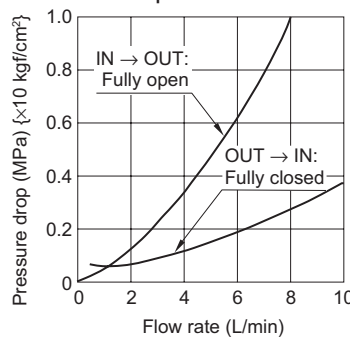


● TSC-T01

Scale - Flow rate characteristics



Pressure drop characteristics



Conditions for the fluid temperature - Flow rate characteristics curve

Oil usable	Equivalent to ISO VG32
Pressure difference between inlet and outlet ports	3 MPa {30 kgf/cm ² }
Standard flow rate	Flow rate at fluid temperature of 20°C

Contact Details

Before using the product, please check the guide pages at the front of this catalog.

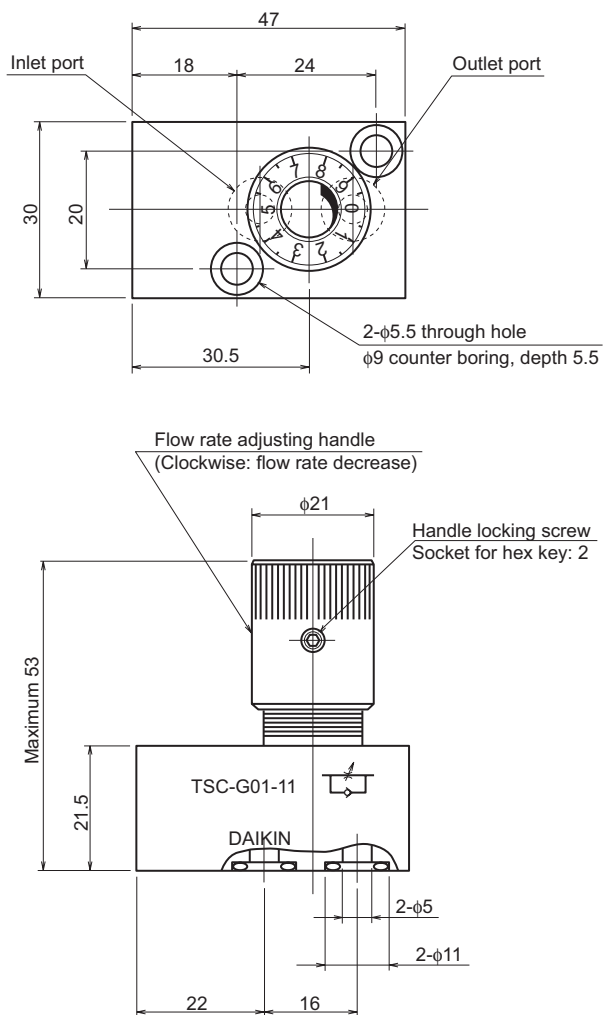
Internet

<http://www.daikinpmc.com/en/>

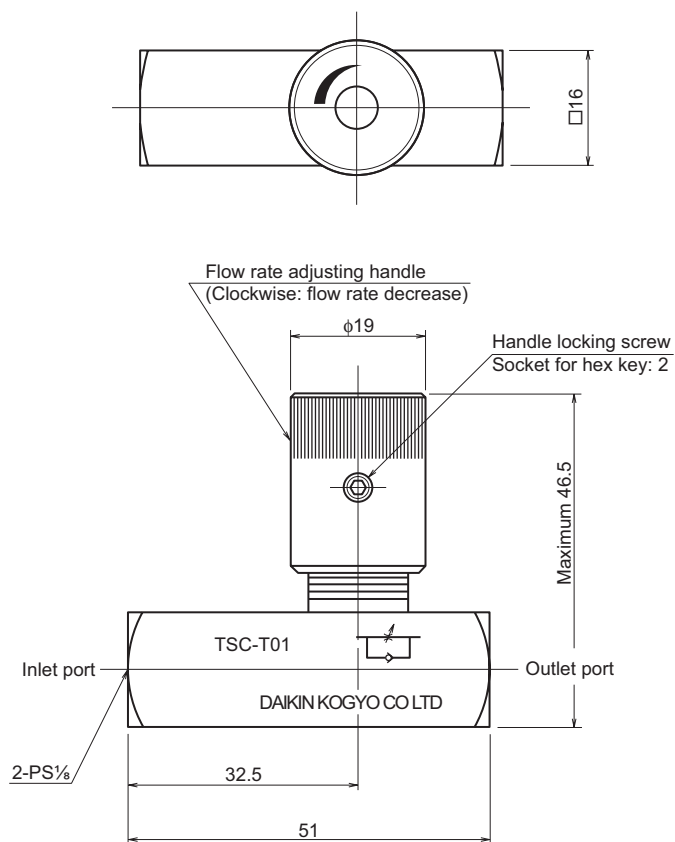
For latest information, PDF catalogs and operation manuals

External dimension diagram

TSC-G01



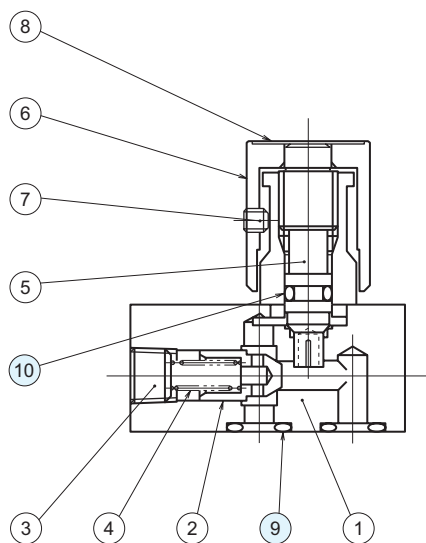
TSC-T01



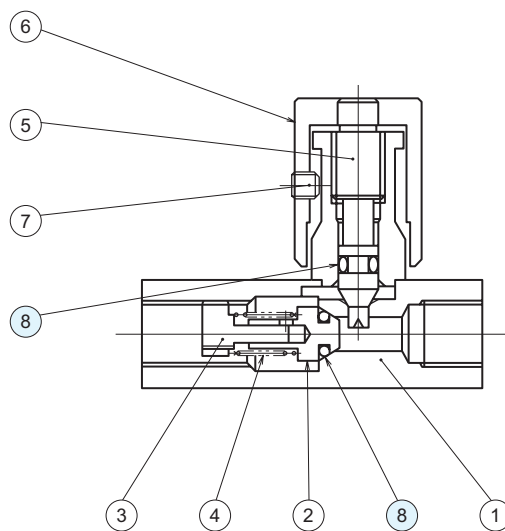
FLOW CONTROL VALVES

Sectional structural diagram

TSC-G01



TSC-T01



Sealing part table

Part No.	Name	Quantity	Part specifications
9	O-ring	2	JIS B 2401 1B P8
10	O-ring	1	JIS B 2401 1B P5

Sealing part table

Part No.	Name	Quantity	Part specifications
8	O-ring	2	JIS B 2401 1B P3